

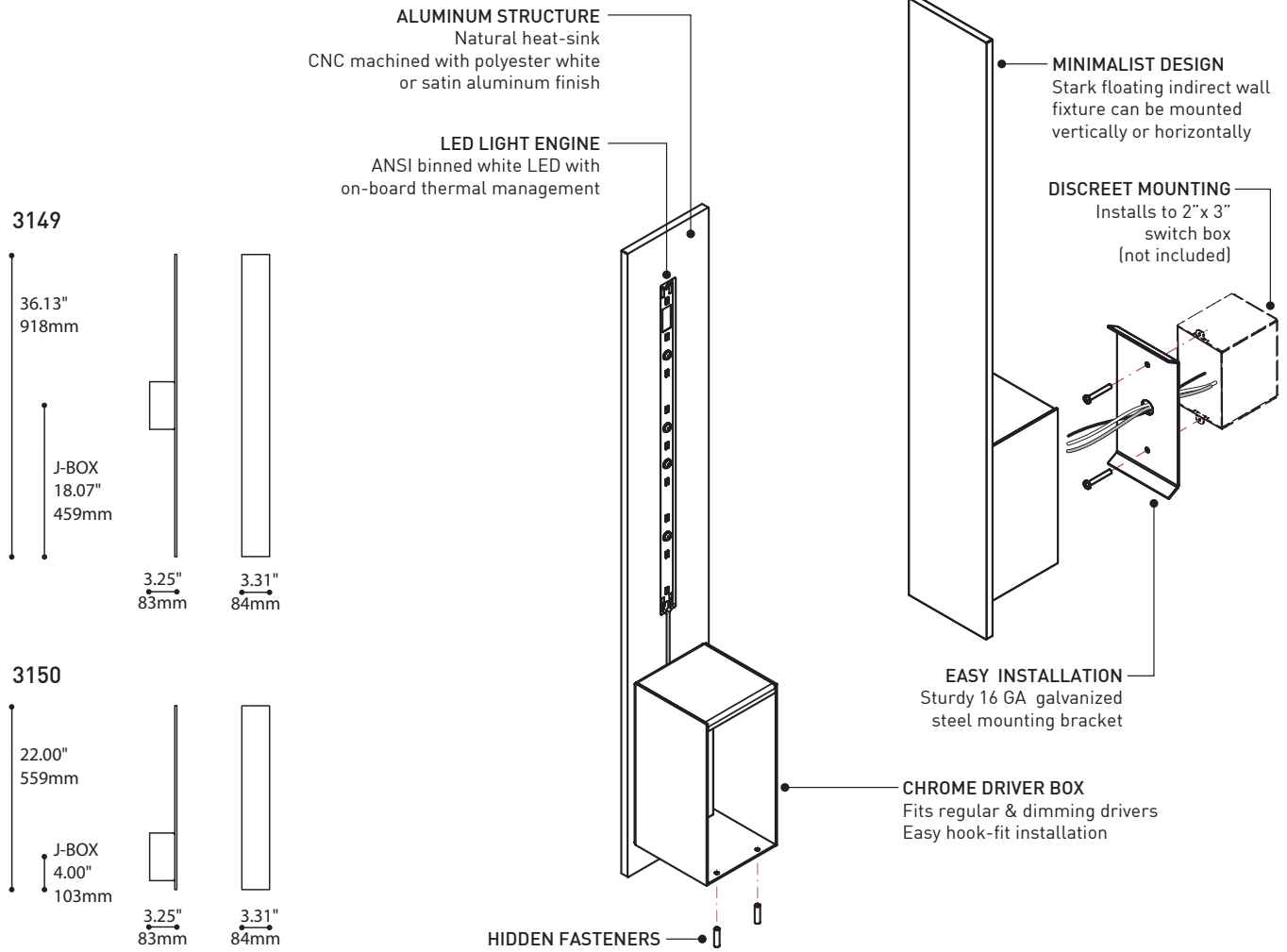
Anatomy

ADA

BIM

DIM

LED



SPECIFICATIONS

	3149	3150
LIGHT SOURCE	24 x Nichia LED	12 x Nichia LED
DELIVERED LUMENS*	1171 lm (4000K)	586 lm (4000K)
SYSTEM WATTAGE	~12.1W	~6.1W
MODULE	UL recognized - custom design	
CRI	80 CRI (typical)	
THERMAL MANAGEMENT	Light Engine w/ on-board Thermal Management / Shade structure in Aluminum to maximize thermal performance	
LIGHT DISTRIBUTION	Indirect	
VOLTAGE	120V or 277V	
DIMMING	0-10V Dimming (DV)	
SHADE STRUCTURE	Machined aluminium / CNC bent & welded	
SHADE FINISH	White Polyester Powder Coat Paint or Satin Aluminum Anodized Finish	
HOUSING	CNC Stamped and Formed Cold Rolled Steel with Chrome Plated Finish	
ADA	Compliant	
WARRANTY	5 years	

*Delivered lumens toward the wall. This does not account for the wall's reflectance.

**For optimal lighting effect, install luminaire on a matte surface.

PLATE DOUBLE 3149

PROJECT PROJET
SPEC TYPE
NOTES



OPTIONS

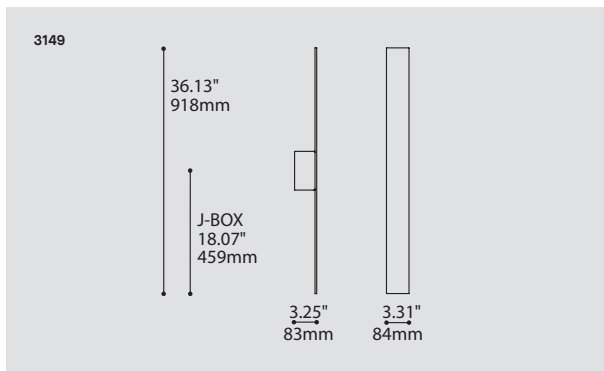


WH

FAMILY FAMILLE



3150



ORDERING SPECIFICATION SPÉCIFICATION DE COMMANDE

MODEL MODÈLE	3149	CODE
3149	PLATE DOUBLE	
LIGHT SOURCE SOURCE LUMINEUSE	LED	
<small>(WATTAGE, LAMP TYPE, OTHER INFO)</small>		
LED	REGULAR OUTPUT	
COLOR TEMPERATURE TEMPÉRATURE DE COULEUR		
30	3000K	
35	3500K	
40	4000K	
VOLTAGE VOLTAGE		
120V	120 VOLT	
277V	277 VOLT	
DIMMING OPTION OPTION DE GRADATION		
DV	0-10V DIMMING (120-277 VOLT)	
STRUCTURE FINISH FINI STRUCTURE		CHR
CHR	CHROME	
DIFFUSER FINISH FINI DIFFUSEUR		
WHE	WHITE FINE TEXTURE	
SA	SATIN ALUMINIUM	

PRODUCT CHARACTERISTICS CARACTÉRISTIQUES DU PRODUIT



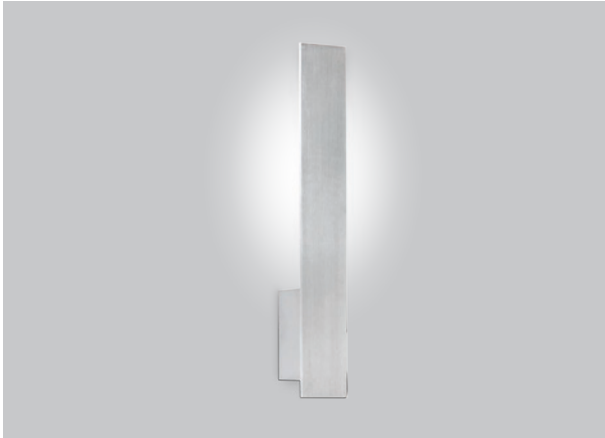
- DESIGN:** A stark floating statement, this indirect LED wall fixture exemplifies minimalist design. Plate is available with the extended double light source version. Plate is ADA compliant.
- INSTALLATION:** Discreet installation on 2.00" x 3.00" (50 x 75mm) outlet box.
- LIGHT SOURCE:** Linear LED strips with self-modulating temperature control for maximum performance. Available with 0-10V dimming.
- STRUCTURE:** Die-formed steel with chrome plated finish.
- DIFFUSER:** CNC machined aluminum plate with white architectural grade fine texture finish or satin anodized finish.
- CERTIFIED:** c-CSA-us
- CONCEPTION:** Applique murale avec éclairage DEL indirect qui dégage une prestance épurée illustrant bien le minimalisme. Plate est offert en version étendue avec source lumineuse doublée. Plate est conforme à la norme ADA.
- INSTALLATION:** Installation discrète sur une boîte de jonction rectangulaire de 2.00" x 3.00" (50 x 75mm).
- SOURCE LUMINEUSE:** Bandes lumineuses DEL avec un autocontrôle de température pour une performance et durée de vie optimale. Offert avec gradation 0-10V.
- STRUCTURE:** Acier découpé et plié chromé.
- DIFFUSEUR:** Plaque d'aluminium usinée avec peinture blanche finement texturée de grade architectural ou fini anodisé satiné.
- CERTIFIÉ:** c-CSA-us

PLATE 3150

PROJECT PROJET

SPEC TYPE

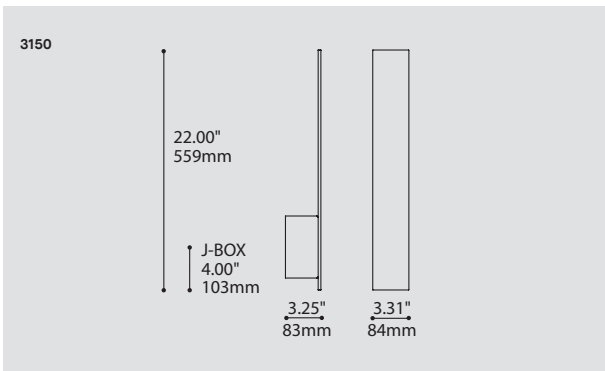
NOTES



OPTIONS



WH



ORDERING SPECIFICATION SPÉCIFICATION DE COMMANDE		CODE
MODEL MODÈLE		3150
3150	PLATE SINGLE	
LIGHT SOURCE SOURCE LUMINEUSE		LED
<small>(WATTAGE, LAMP TYPE, OTHER INFO)</small>		
LED	REGULAR OUTPUT	
COLOR TEMPERATURE TEMPÉRATURE DE COULEUR		
30	3000K	
35	3500K	
40	4000K	
VOLTAGE VOLTAGE		
120V	120 VOLT	
277V	277 VOLT	
DIMMING OPTION OPTION DE GRADATION		
DV	0-10V DIMMING (120-277 VOLT)	
STRUCTURE FINISH FINI STRUCTURE		CHR
CHR	CHROME	
DIFFUSER FINISH FINI DIFFUSEUR		
WHE	WHITE FINE TEXTURE	
SA	SATIN ALUMINUM	

PRODUCT CHARACTERISTICS CARACTÉRISTIQUES DU PRODUIT



DESIGN:	A stark floating statement, this indirect LED wall fixture exemplifies minimalist design. Plate is available with this simple yet lovely version and with the extended double light source version. Plate is ADA compliant.
INSTALLATION:	Discreet installation on 2.00' x 3.00' (50 x 75mm) outlet box.
LIGHT SOURCE:	Linear LED strips with self-modulating temperature control for maximum performance. Available with 0-10V dimming.
STRUCTURE:	Die-formed steel with chrome plated finish.
DIFFUSER:	CNC machined aluminum plate with white architectural grade fine texture finish or satin anodized finish.
CERTIFIED:	c-CSA-us
CONCEPTION:	Applique murale avec éclairage DEL indirect qui dégage une prestance épurée illustrant bien le minimalisme. Plate est offert en version simple et en version étendue avec source lumineuse doublée. Ils sont conformes à la norme ADA.
INSTALLATION:	Installation discrète sur une boîte de jonction rectangulaire de 2.00' x 3.00' (50 x 75mm).
SOURCE LUMINEUSE:	Bandes lumineuses DEL avec un autocontrôle de température pour une performance et durée de vie optimale. Offert avec gradation 0-10V.
STRUCTURE:	Acier découpé et plié chromé.
DIFFUSEUR:	Plaque d'aluminium usinée avec peinture blanche finement texturée de grade architectural ou fini anodisé satiné.
CERTIFIÉ:	c-CSA-us

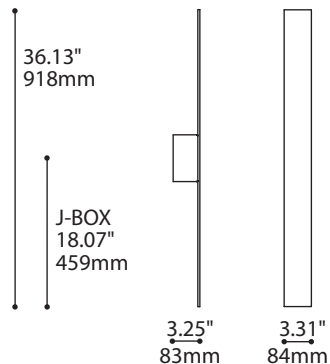
Photometric Report

3149-LED.40

CCT (K): 4000
 Delivered Lumens (lm): 1171
 System wattage (W)*: 12.1
 Distribution: Indirect
 Delivered Efficacy (lm/W): 96.8
 Photometric type: C

Luminous dimensions

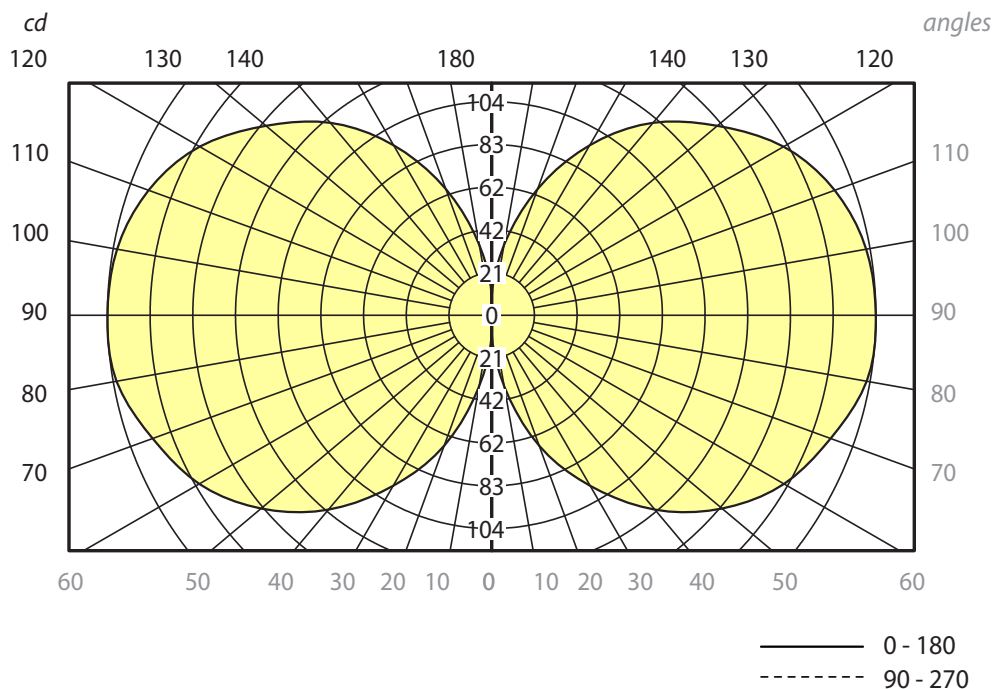
Luminous shape: Rectangle
 Units: in (mm)
 0-180 Axis: 3.6 (91.44)
 90-270 Axis: 3.6 (91.44)
 Height: 36 (914.4)



Luminaire spacing criteria

2 luminaires, plane 0: 0.20
 2 luminaires, plane 90: 7.09
 4 luminaires: 5.67

*System wattage include driver and LED module consumption



This photometric report has been generated using methods recommended by the IESNA. Calculations are based on simulated photometric data and can change without notice. End-user environment and application (including, but not limited to, voltage variation and dirt accumulation) can cause actual photometric performance to differ from the performance calculated using the data provided by the manufacturer. In no event will Eureka Lighting be responsible for any loss resulting from any use of this report.

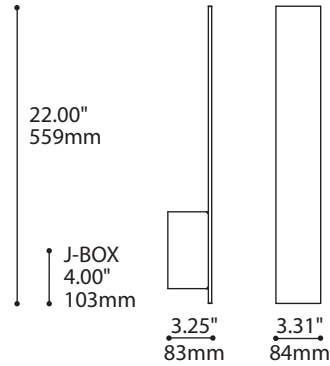
Photometric Report

3150-LED.40

CCT (K): 4000
 Delivered Lumens (lm): 586
 System wattage (W)*: 6.1
 Distribution: Indirect
 Delivered Efficacy (lm/W): 96.
 Photometric type: C

Luminous dimensions

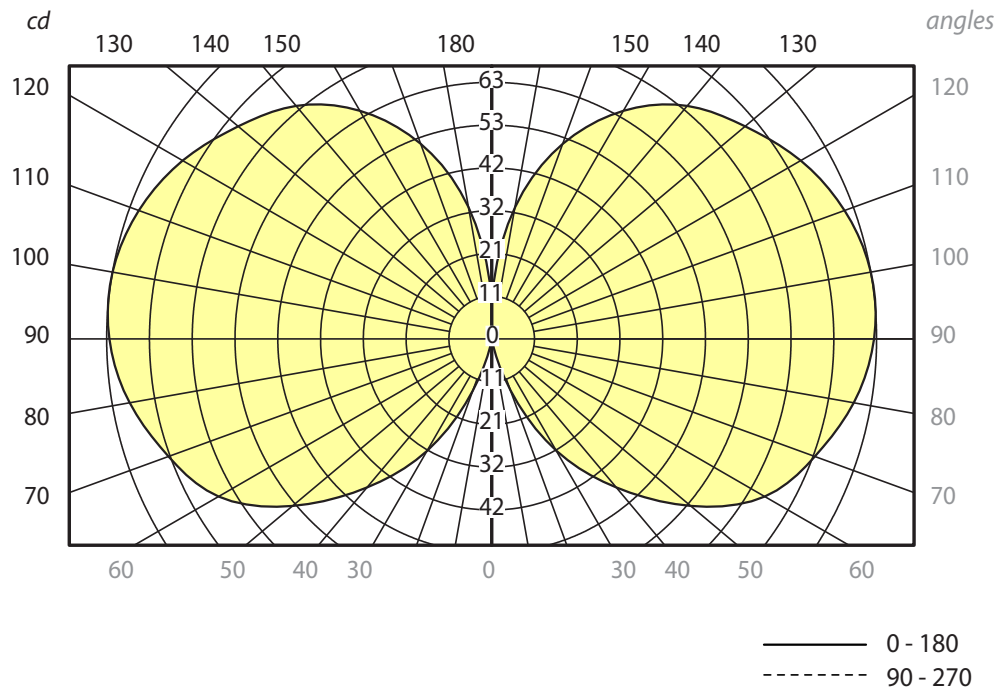
Luminous shape: Rectangle
 Units: in (mm)
 0-180 Axis: 3.6 (91.44)
 90-270 Axis: 3.6 (91.44)
 Height: 21.6 (548.6)



Luminaire spacing criteria

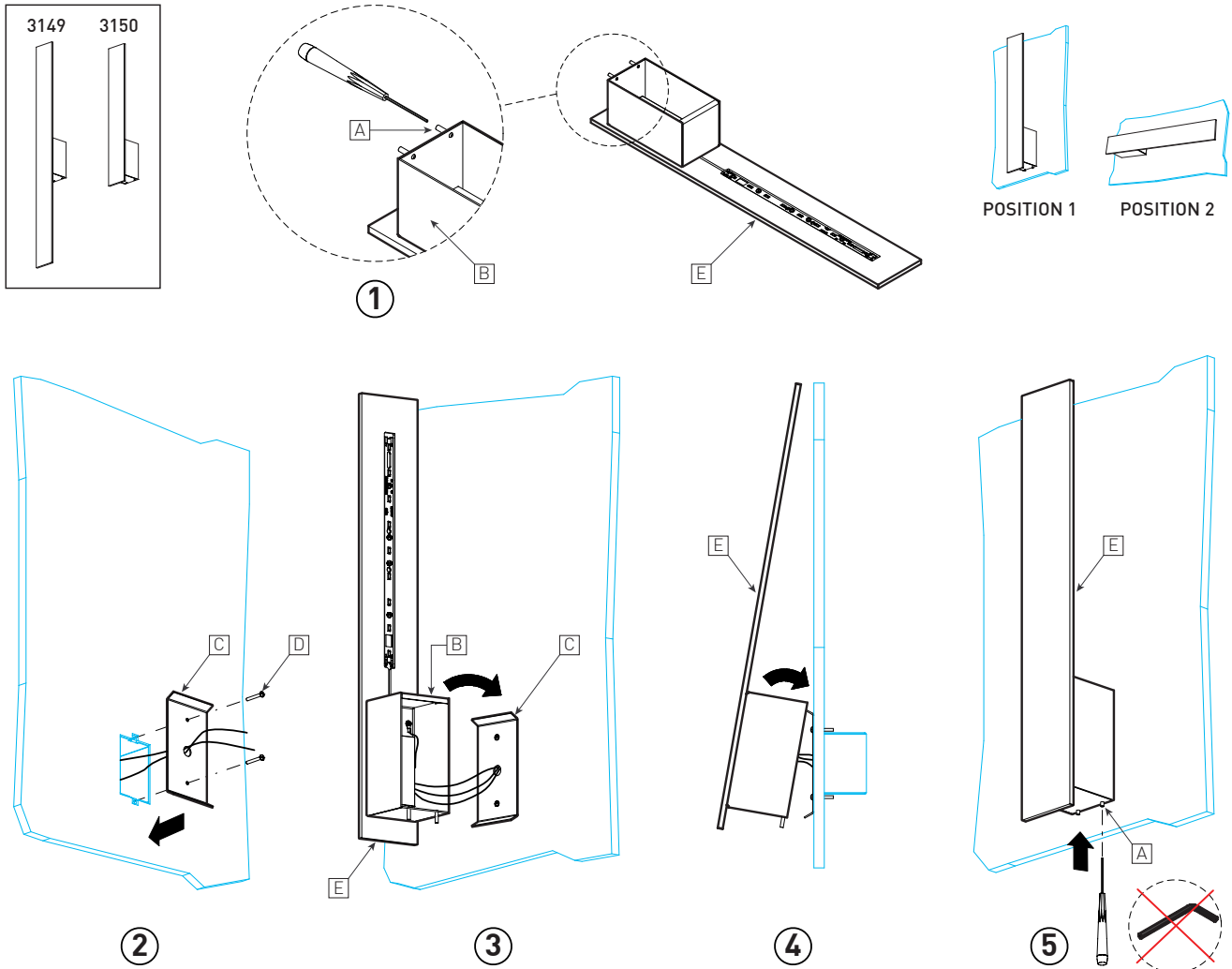
2 luminaires, plane 0: -0.01
 2 luminaires, plane 90: -0.01
 4 luminaires: -0.01

*System wattage include driver and LED module consumption



This photometric report has been generated using methods recommended by the IESNA. Calculations are based on simulated photometric data and can change without notice. End-user environment and application (including, but not limited to, voltage variation and dirt accumulation) can cause actual photometric performance to differ from the performance calculated using the data provided by the manufacturer. In no event will Eureka Lighting be responsible for any loss resulting from any use of this report.

Installation



INSTALLATION

- 1 - LOOSEN (2) #8-32 SET SCREWS [A] LOCATED ON THE RECTANGULAR CANOPY [B] AS SHOWN TO FACILITATE INSTALLATION OF FIXTURE.
- 2 - INSTALLATION ON 2" X 3" SWITCH BOX
INSTALL THE 2" X 3" SWITCH BOX (SUPPLIED BY OTHERS) EITHER HORIZONTALLY OR VERTICALLY. INSTALL THE RECTANGULAR MOUNTING PLATE [C] TO THE 2" X 3" SWITCH BOX USING 2-WAY #6-32 SUPPLIED MOUNTING SCREWS [D].
- 3 - MAKE ALL WIRING CONNECTION. POSITION FIXTURE [E] ON THE RECTANGULAR MOUNTING PLATE [C] BY USING THE FLANGE/TAB LOCATED ON THE CANOPY [B] AS SHOWN.
- 4 - SLIDE THE FIXTURE OVER THE MOUNTING PLATE [C]. GENTLY PRESS THE FIXTURE [E] AGAINST WALL SURFACE.
- 5 - HOLD THE FIXTURE [E] INTO PLACE WHILE TIGHTEN THE STRUCTURE WITH (2) #8-32 SET SCREWS [A]. EXECUTE THIS OPERATION BY USING A HEX HEAD SCREWDRIVER (SUPPLIED BY OTHERS). DO NOT USE AN ALLEN KEY FOR THIS OPERATION.

MAINTENANCE & CAUTION

FOR LED REPLACEMENT BULB:
PLEASE CONTACT YOUR EUREKA AGENT.

*** AVOID PLACING FIXTURE NEAR THE ENTRANCE TO PREVENT GLARE.

INSTALLATION

- 1 - DÉVISSER LES (2) VIS DE PRESSION À SIX PANS CREUX #8-32 [A] LOCALISÉS SUR LE BOÎTIER RECTANGULAIRE [B] POUR FACILITER L'INSTALLATION.
- 2 - INSTALLATION DE LA BOÎTE DE CONNEXION 2" X 3"
INSTALLER LA BOÎTE DE CONNEXION 2" X 3" (NON-INCLUSE) HORIZONTALEMENT OU VERTICALEMENT. FIXER LA PLAQUE DE MONTAGE RECTANGULAIRE [C] SUR LA BOÎTE DE CONNEXION 2" X 3" À L'AIDE DES (2) VIS DE MONTAGE FOURNIES #6-32 [D].
- 3 - FAIRE LA CONNEXION DES FILS. POSITIONNER LE LUMINAIRE [E] EN UTILISANT LA PATTE PLIÉE DU BOÎTIER RECTANGULAIRE [B] POUR L'ACCROCHER SUR LA PLAQUE DE MONTAGE RECTANGULAIRE [C].
- 4 - DÉPOSER LE LUMINAIRE [E] SUR LA PLAQUE DE MONTAGE [C] EN L'APPUYANT FERMEMENT LA SURFAÇONTE LA SURFACE DU MUR.
- 5 - TENIR LE LUMINAIRE EN PLACE ET SERRER L'ENSEMBLE DE LA STRUCTURE À L'AIDE DES (2) VIS DE PRESSION À SIX PANS CREUX #8-32 [A]. UTILISER UN TOURNEVIS À TÊTE HEXAGONALE (NON-INCLUSE) POUR EXÉCUTER CETTE OPÉRATION. NE PAS UTILISER LA CLÉ ALLEN.

MAINTENANCE & CAUTION

POUR LES INFORMATIONS RELIÉES AU REMPLACEMENT DES DEL:
VEUILLEZ CONTACTER VOTRE AGENT EUREKA.

*** NE PAS INSTALLER LE LUMINAIRE PROCHE D'UNE ENTRÉE AFIN D'ÉVITER TOUT ÉBLOUISSEMENT.

